

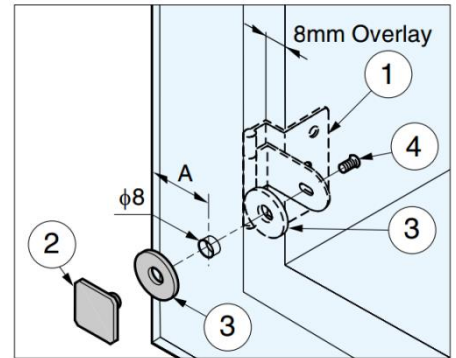
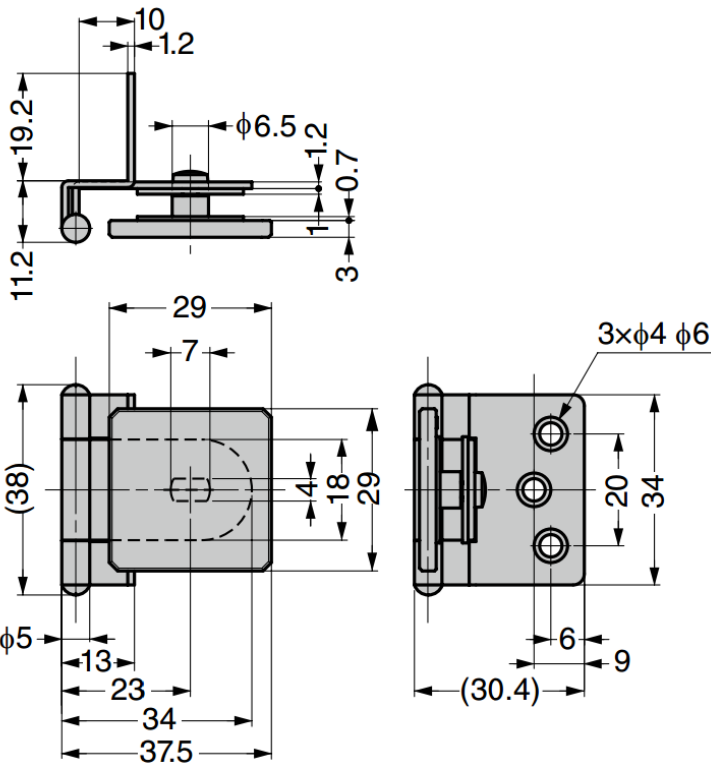
GGH34-8CR-K Overlay Glass Door Hinge

Features

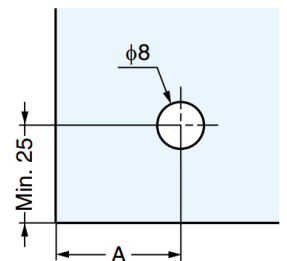
- Hinge for glass/acrylic doors
- Round plate type **GGH34-8CR** also available
- Passed 30,000 life cycle test

Notes

- Recommended for use in pairs
- Use screw loosening prevention agent when mounting screws
- Recommended door dimensions in the below table are based on usage of two hinges for one door



Cut Out Dimensions



Boring position changes with the glass thickness.

Glass Thickness	A	Overlay
4	19	8
5	18	7
6	17	6

No.	Part Name	Material	Finish / Colour
①	Body	Steel	Chrome
②	Plate	Zinc Alloy (ZDC)	
③	Washer	PVC	Clear
④	Screw	Steel	Nickel

Part No.	Door Width	Door Height	Glass Thickness	Load Capacity (per pair)
GGH34-8CR-K	Max. 450	Max. 700	4, 5, 6	39 N 4 kg